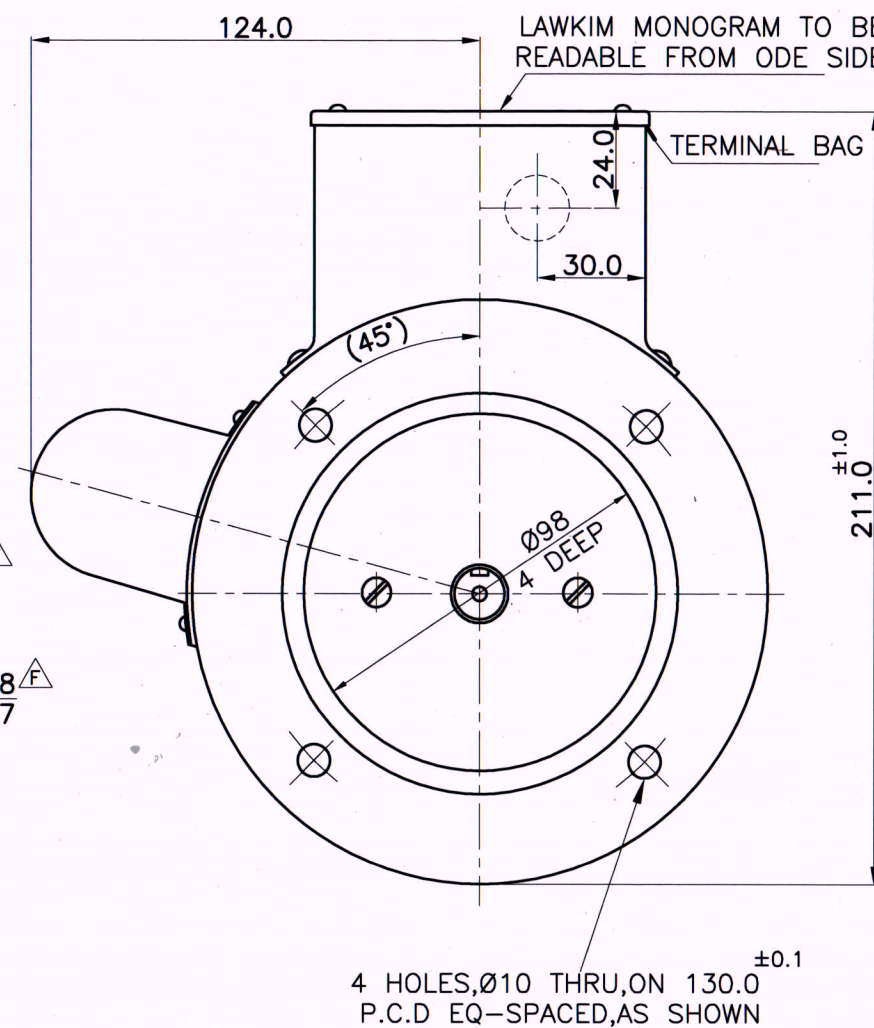
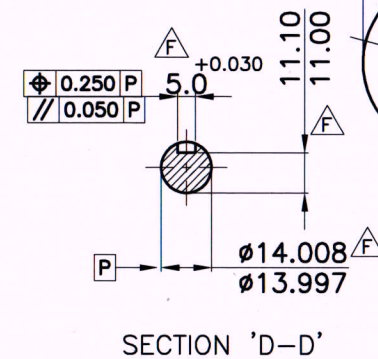
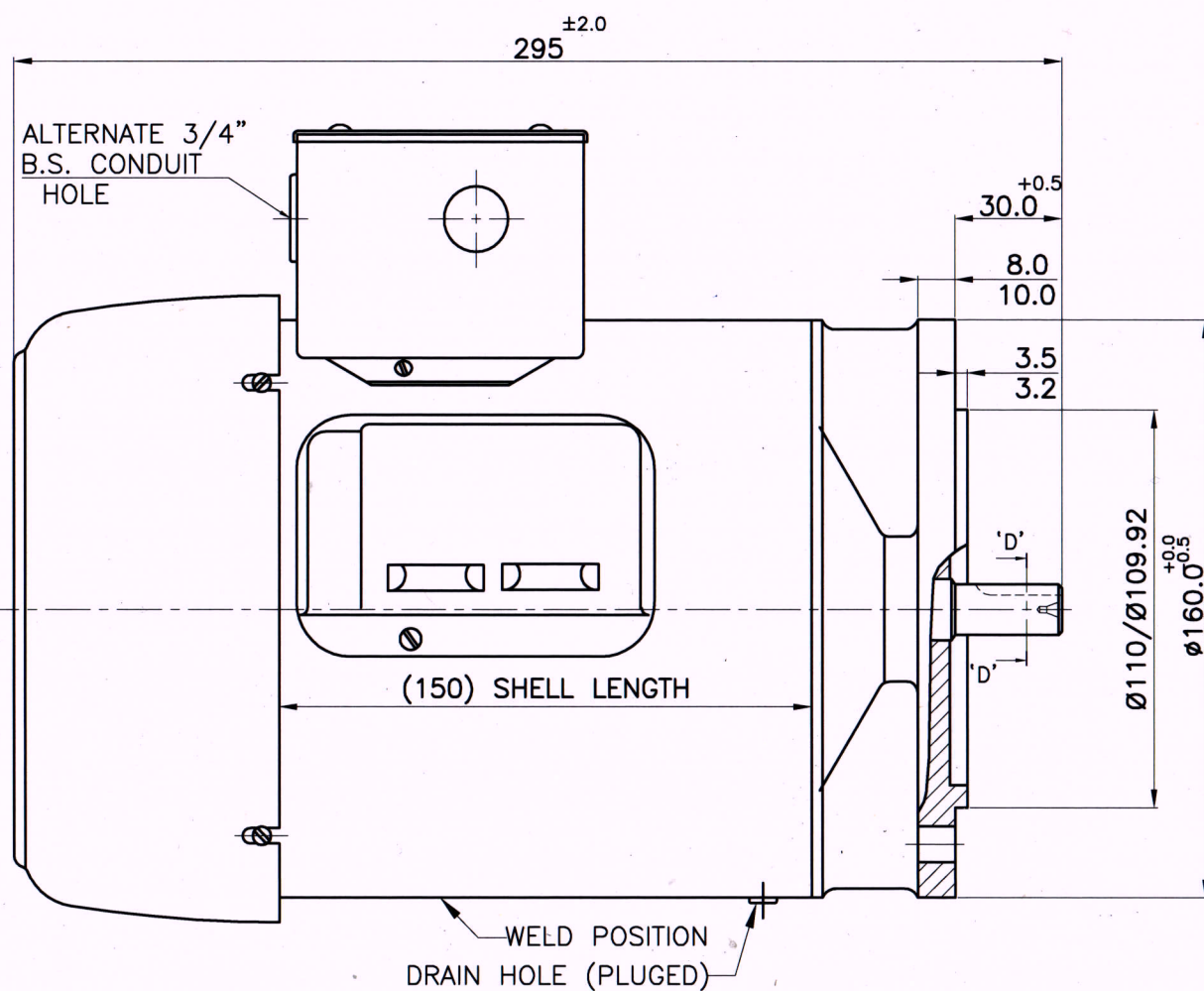


DRG. NO. 200LK3014H



NOTE :

1) SHAFT KEYS (5X5X18) SUPPLIED LOOSE IN TERMINAL BAG.

01	11/04/19	1. DIM. 30.0 & 295 WAS 33.5 & 299 RESP. 2. DRG. FORMAT UPDATED.	ACS	
0	22/01/11	NEW ISSUE	PBJ	KMJ
REV.	DICN.	DATE	AMENDMENT	
			AMD BY	APPD BY

OVER 1000 ±1.2	MANDATORY MEASUREMENT	MATERIAL:	The information contained in this document is confidential and should not be used without prior consent of Godrej & Boyce Mfg. Co. Ltd.	
315-1000 ±0.8	FIT/FUNCTION SPC	—		
120-315 ±0.5	SAFETY CHARACTERISTIC	SPECS:	DESCRIPTION: MOTOR ASSEMBLY (0.5HP, 1Ph, 4P, CSIR, FLANGE MTG.)	
30-120 ±0.3		REFER NOTES	DRAWING NO. 200LK3014H	
6-30 ±0.2		NAME SIGN DATE	REV	
0-6 ±0.1		DRN PBJ 22/01/11	01	
STANDARD TOLERANCES		CHK RPK	SCALE: —	
▽ Rough Finish		APPD KMJ	MODEL: LK3014H	SHEET 1 OF 1
▽▽ Smooth Finish				
▽▽▽ Ground Finish				