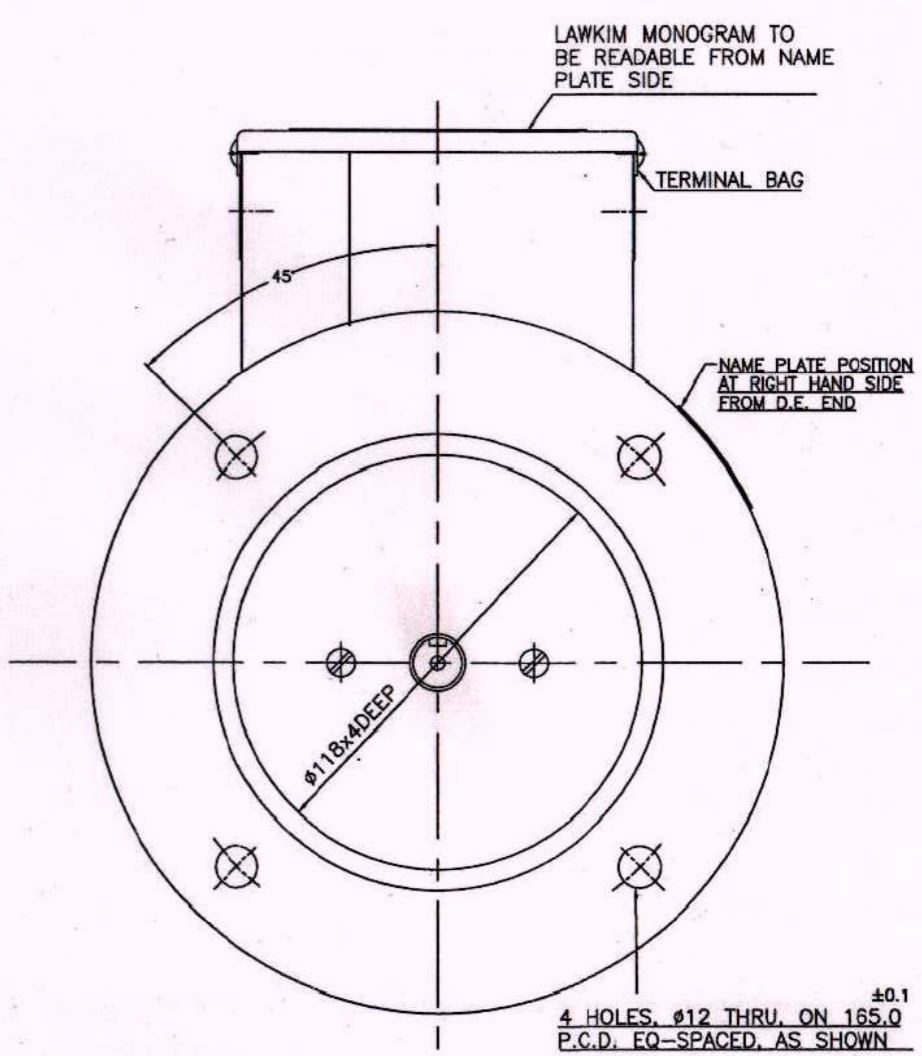
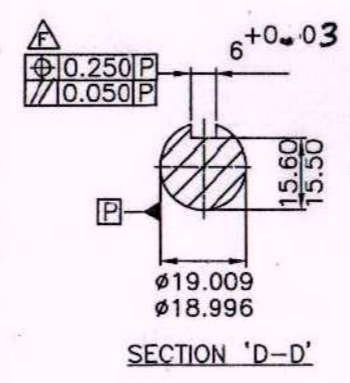
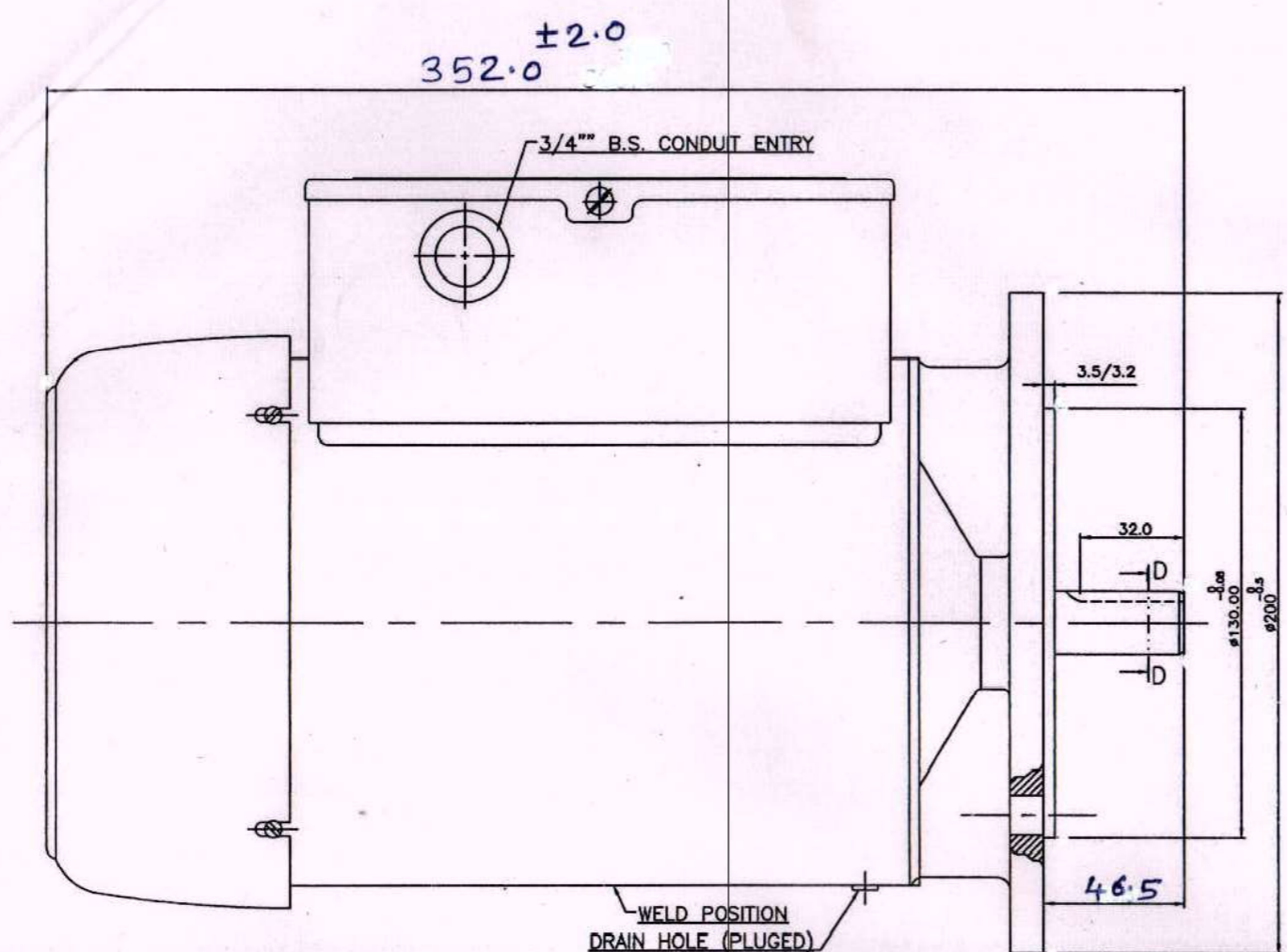


8	7	6	5	4	3	2	1
DRG. NO 200LK3278	MATERIAL —	SPECIFICATION —	PROJECTION 	GENERAL TOLERANCE ON DIMENSIONS 1 PLACE DECIMAL ±1.5 ANGLE ±0.30° 2 PLACE DECIMAL ± 0.13	MACHINED SURFACES SHOWN BY ▽ ROUGH FINISH ▽▽▽ GROUND FINISH ▽▽ SMOOTH FINISH	CONTROL CHARACTERISTICS △ MANDATORY MEASUREMENT ▲ FIT/FUNCTION SPC ◇ SAFETY CHARACTERISTIC	IF IN DOUBT, ASK ALL DIMENSIONS ARE IN mm UNLESS OTHERWISE SPECIFIED



NOTE:--  
1) SHAFT KEY (6X6X28) SUPPLIED LOOSE IN TERMINAL BAG.

The information contained in this document is confidential and should not be used without prior consent of LAWKIM PVT. LIMITED  
 CONTROL PLAN # [ ] ISSUED TO : [ ]

R	DATE	R	DATE	R	DATE	R	DATE	R	DATE	R	DATE	R	DATE	R	DATE	DRN	PBP	4/8/11	USED ON LK56-1H.P. TEFC 50HZ	<b>LAWKIM</b>								
DRN	CHD	APPD	DRN	CHD	APPD	DRN	CHD	APPD	DRN	CHD	APPD	DRN	CHD	APPD	DRN	CHD	APPD	CHK			RPK							
DICN No.												DICN No.		DICN No.		DICN No.		DICN No.		DICN No.		APPD		SCALE		MOTOR ASSEMBLY	DRG NO 200LK3278	REV 1
																						DICH No. 10280		DIMN 46.5 WAS 49.5 2-DIMN 352.0 WAS 355.0				