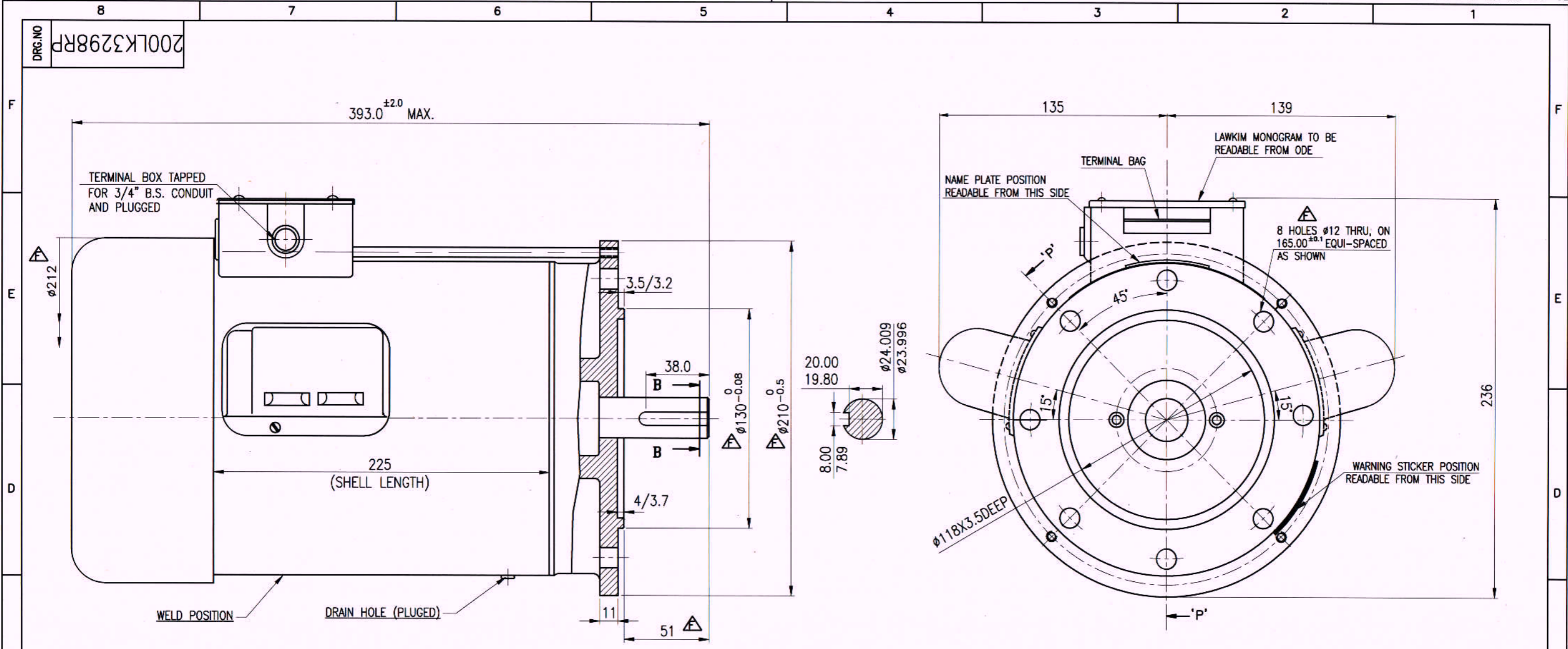


DRG. NO. 200LK3298RP



PARTIAL SECTION- 'P-P'

NOTE:-
1) KEY 8 WIDEX7 THK.X36 LONG IS SUPPLIED LOOSE IN HARDWARE BAG.

ITEM CODE:		00	12/02/19	NEW ISSUE	PBJ/ACS
REV.	DICN.	DATE	AMENDMENT		APPD BY
1 PLACE DECIMAL	±0.25	MANDATORY MEASUREMENT	MATERIAL: -		
2 PLACE DECIMAL	±0.13	FIT/FUNCTION SPC	The information contained in this document is confidential and should not be used without prior consent of Godrej & Boyce Mfg. Co. Ltd.		
ANGLE	±0.30	SAFETY CHARACTERISTIC	SPECS: REFER NOTES		
STANDARD TOLERANCES		NAME		DATE	DESCRIPTION: MOTOR ASSEMBLY (3HP, 4P, 1PH, 50Hz, CSCR, TEFC, FLANGE MTG.)
▽ Rough Finish	▽▽ Smooth Finish	▽▽▽ Ground Finish	DRN	PBJ	12/02/19
			CHK	ACS/PBP	
			APPD	KMJ	
DRAWING NO.		200LK3298RP		REV	00
SCALE: -		MODEL: 100S		SHEET 1 OF 1	