

NO. OF COPIES	MANU.	QA(E)	QA(M)	P(V)	Ddra	Sent.	PRW	PRP	GUR.

Control Plan No.

The information contained in this document is confidential and should not be used without prior consent of LAWKIM PRIVATE LIMITED

DRG. NO.	200LK1398 (2005502)
MATERIAL	

7 SPECIFICATION

PROJECTION GENERAL TOLERANCE ON DIMENSIONS

1 PLACE DECIMAL ±1.5 ANGLE ±0.30°

2 PLACE DECIMAL ±0.15

3 CONTROL CHARACTERISTICS

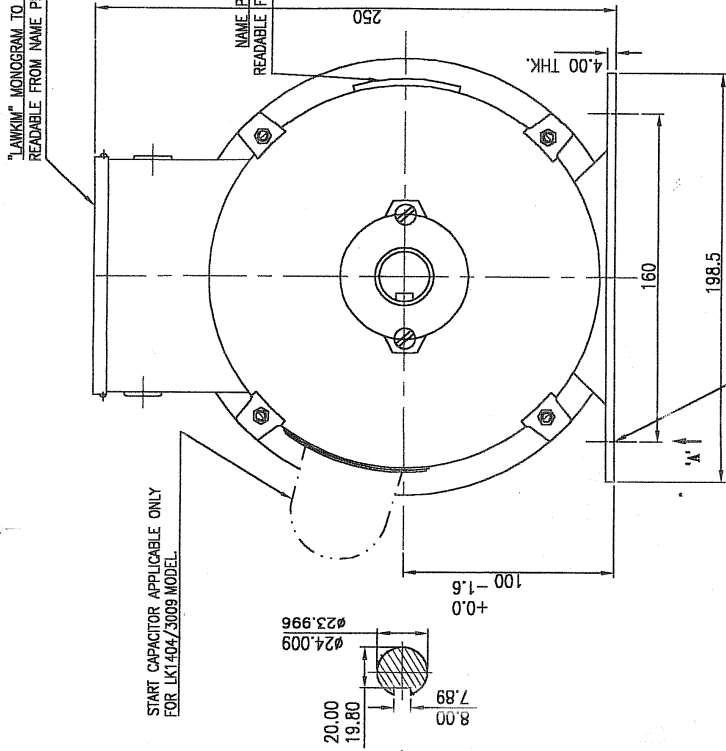
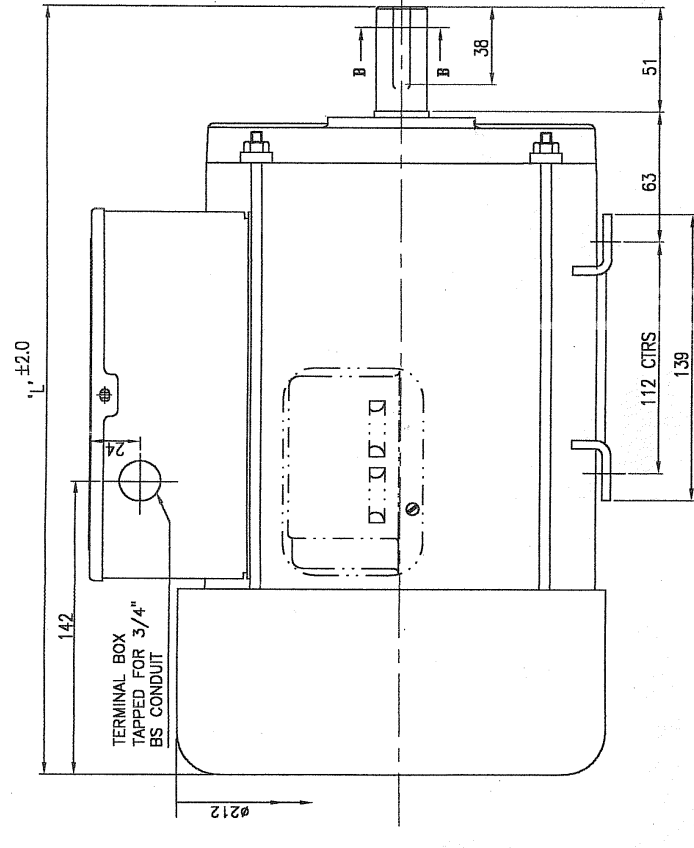
MANDATORY MEASUREMENT

SAFETY FIT/FUNCTION

CHARACTERISTIC

IF IN DOUBT, ASK ALL DIMENSIONS ARE IN mm UNLESS OTHERWISE SPECIFIED

FORMAT NO. FR-RD-06-01



MODEL	LK1386	LK1398	LK3007	LK1404	LK3009
'L'	350	350	350	373	373
H.P.	1.5	2	2	3	3
I.C.D	2005501	2005502	2005505	2005503	2005506
NEW T.C.D.	200LK1386	200LK1398	200LK3007	200LK1404	200LK3009

NOTE:
1) KEY 8 WIDEX7 THK.X36 LONG IS SUPPLIED LOOSE IN HARDWARE BAG.

R	DATE	DRN	CHD	APPD	R	DATE	DRN	CHD	APPD	R	DATE	DRN	CHD	APPD	AVH	1/10/2	FR.	100S WITH TBL	REV	
																			200 LK1398	2
																			(2005502)	

LAWKIM
DIMENSION DRAWING